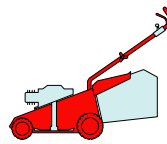


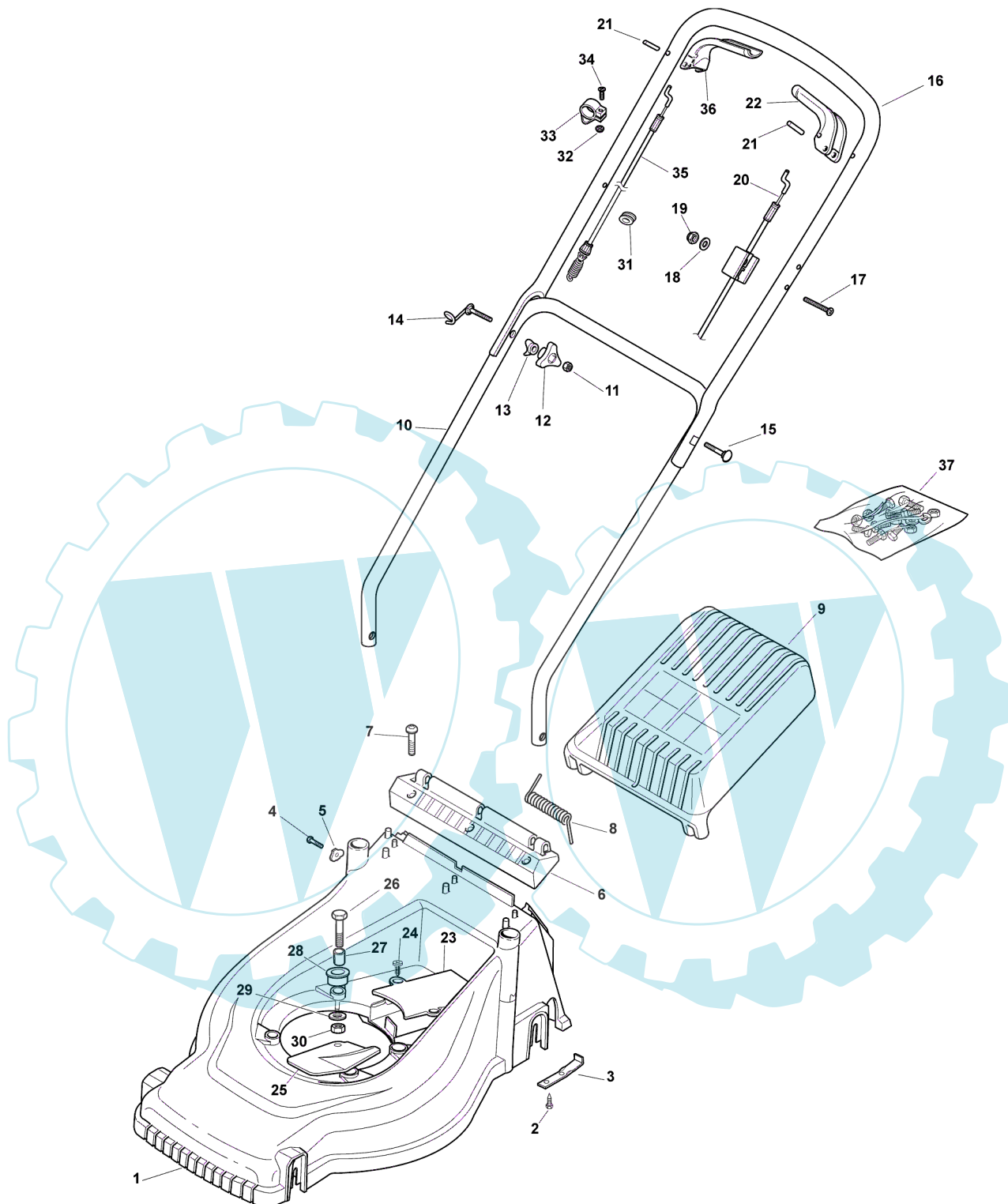
EP 434 TR



2007

421.0

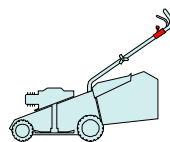
1 / 2



| POS. | CODE | Q.TY | DESCRIZIONE | DESCRIPTION | DESCRIPTION | BESCHREIBUNG | REMARKS |
|------|------------|------|---------------------|-----------------|----------------------|-------------------|---------|
| 1 | 22066700/0 | 1 | CHASSIS ROSSO | DECK RED | CHÂSSIS ROUGE | GEHÄUSE ROT | |
| 2 | 12728680/0 | 4 | VITE | SCREW | VIS | SCHRAUBE | |
| 3 | 22608531/0 | 2 | RINFORZO POSTERIORE | REAR STIFFENING | RÉNFORCEMENT ARRIERE | HINTERVERSTÄRKUNG | |
| 4 | 12728450/0 | 2 | VITE | SCREW | VIS | SCHRAUBE | |
| 5 | 22545135/0 | 2 | PIASTRINA | PLATE | PLAQUETTE | PLÄTTCHEN | |
| 6 | 22785165/0 | 1 | SUPPORTO | SUPPORT | SUPPORT | HALTER | |
| 7 | 12728686/0 | 3 | VITE | SCREW | VIS | SCHRAUBE | |
| 8 | 22450430/0 | 1 | MOLLA | SPRING | RESSORT | FEDER | |

| POS. | CODE | Q.TY | DESCRIZIONE | DESCRIPTION | DESCRIPTION | BESCHREIBUNG | REMARKS |
|------|------------|------|-----------------------|--------------------------|------------------------------|--------------------|--------------|
| 9 | 22600079/0 | 1 | PARASASSI, NERO | BLACK STONE-GUARD | PARE-PIERRES, NOIR | PRALLBLECH, GRAU | |
| 10 | 81006609/0 | 1 | MANICO, PARTE INF | HANDLE, LOWER PART | MANCHERON, PARTIE INFERIEURE | HOLM, UNTERTEIL | |
| 11 | 12293200/0 | 2 | DADO | NUT | ECROU | MUTTER | |
| 12 | 22399900/0 | 2 | MANOPOLINA | KNOB | POIGNÉE | GRIFF | |
| 13 | 22680006/1 | 2 | ROSETTA | WASHER | RONDELLE | SCHEIBE | |
| 14 | 81003801/1 | 1 | MOLLA GUIDA | GUIDE SPRING | RESSORT DE GUIDE | FEDER FÜHRER | |
| 15 | 12819201/0 | 1 | VITE | SCREW | VIS | SCHRAUBE | |
| 16 | 81006577/0 | 1 | MANICO, PARTE SUP | HANDLE, UPPER PART | MANCHERON, PARTIE SUPERIEURE | HOLM, OBERTEIL | |
| 17 | 12674700/0 | 1 | VITE | SCREW | VIS | SCHRAUBE | |
| 18 | 12521330/0 | 1 | ROSETTA | WASHER | RONDELLE | SCHEIBE | |
| 19 | 12292100/0 | 1 | DADO | NUT | ECROU | MUTTER | |
| 20 | 81000613/0 | 1 | CAVO FRENO MOTORE | CABLE, THREAD ENG. BRAKE | CABLE FREIN MOTEUR | KABEL, MOTORBREMSE | (B&S) |
| - | 81000614/0 | 1 | CAVO FRENO MOTORE | CABLE, THREAD ENG. BRAKE | CABLE FREIN MOTEUR | KABEL, MOTORBREMSE | (GGP ENGINE) |
| 21 | 12645710/0 | 2 | SPINA | PIN | GOUPILLE | STIFT | |
| 22 | 22321700/0 | 1 | LEVA FRENO MOTORE | LEVER, MOTOR BRAKE | LEVIER FREIN MOTEUR | HEBEL, MOTORBREMSE | |
| 23 | 22060171/0 | 1 | CARTER CINGHIA | PROTECTION, BELT | PROTECTION COURROIRE | SCHUTZ, RIEMEN | |
| 24 | 12728686/0 | 2 | VITE | SCREW | VIS | SCHRAUBE | |
| 25 | 22484070/1 | 1 | PARACALORE | MUFFLER GUARD | GRILLE DE PROTECTION | SCHUTZABDECKUNG | |
| 26 | 12691900/0 | 3 | VITE | SCREW | VIS | SCHRAUBE | |
| 27 | 22167842/0 | 3 | DISTANZIALE | SPACER | ENTRETOISE | DISTANZRING | |
| 28 | 22040265/0 | 1 | BUSSOLA | BUSH | DOUILLE | BUCHSE | |
| 29 | 12523070/0 | 3 | ROSETTA | WASHER | RONDELLE | SCHEIBE | |
| 30 | 12155000/0 | 3 | DADO | NUT | ECROU | MUTTER | |
| 31 | 18564520/1 | 1 | PASSACAVO | FAIR LEAD | PASSE CABLE | KABELDURCHGANG | |
| 32 | 12292100/0 | 1 | DADO | NUT | ECROU | MUTTER | |
| 33 | 22806521/0 | 1 | FASCETTA | CLAMP | COLLIER | BOWDENZUGHALTER | |
| 34 | 12769616/0 | 1 | VITE | SCREW | VIS | SCHRAUBE | |
| 35 | 81000704/0 | 1 | CAVO COMANDO TRAZIONE | CABLE, REAR DRIVE | CÂBLE, COMMANDE TRACTION | KABEL, ANTRIEB | |
| 36 | 22321701/0 | 1 | LEVA TRAZIONE | DRIVING LEVER | LEVIER TRACTION | ANTRIEBHEBEL | |
| 37 | -- | 1 | DOTAZIONE VITERIA | OUTFIT, SCREWS | DOTATION VISSERIE | SATZ, SCHRAUBEN | |

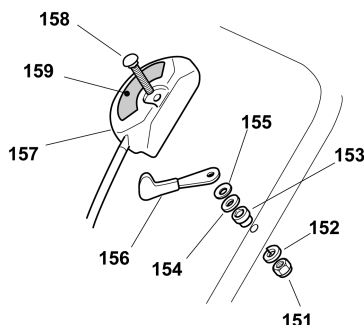
EP 434 TR



2007

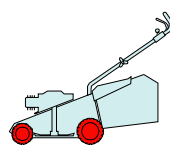
421a.0

1 / 1



| POS. | CODE | Q.TY | DESCRIZIONE | DESCRIPTION | DESCRIPTION | BESCHREIBUNG | REMARKS |
|------|------------|------|--------------------|-----------------|----------------------|----------------------|--|
| 151 | 12291000/0 | 1 | DADO | NUT | ECROU | MUTTER | |
| 152 | 12581500/0 | 1 | GROWER | GROWER | GROWER | FEDERRING | |
| 153 | 22171005/0 | 1 | DISTANZIALE | SPACER | ENTRETOISE | DISTANZRING | |
| 154 | 12521360/0 | 1 | ROSETTA | WASHER | RONDELLE | SCHEIBE | |
| 155 | 12508100/0 | 1 | ROSETTA ELASTICA | SPRING WASHER | RONDELLE ELASTIQUE | ELASTISCHE SCHEIBE | |
| 156 | 81007220/0 | 1 | LEVA, ACCELERATORE | LEVER, THROTTLE | LEVIER, ACCELERATEUR | HEBEL, BESHLEUNIGER | (B&S CLASSIC/SPRINT/LS/LC - GGP ENGINE M150/SV150) |
| - | 81007279/1 | 1 | LEVA, ACCELERATORE | LEVER, THROTTLE | LEVIER, ACCELERATEUR | HEBEL, BESHLEUNIGER | (B&S QUANTUM - HONDA - GGP ENGINE SV200) |
| 157 | 81007080/0 | 1 | CAVO ACCELERATORE | CABLE, TROTTLE | CABLE, ACCELERATEUR | KABLE, BESCHLEUNIGER | |
| 158 | 12815000/0 | 1 | VITE | SCREW | VIS | SCHRAUBE | |
| 159 | 14356703/0 | 1 | ETICHETTA | LABEL | ETIQUETTE | ETIKETTE | (B&S) |
| - | 14356702/0 | 1 | ETICHETTA | LABEL | ETIQUETTE | ETIKETTE | (GGP ENGINE - HONDA) |

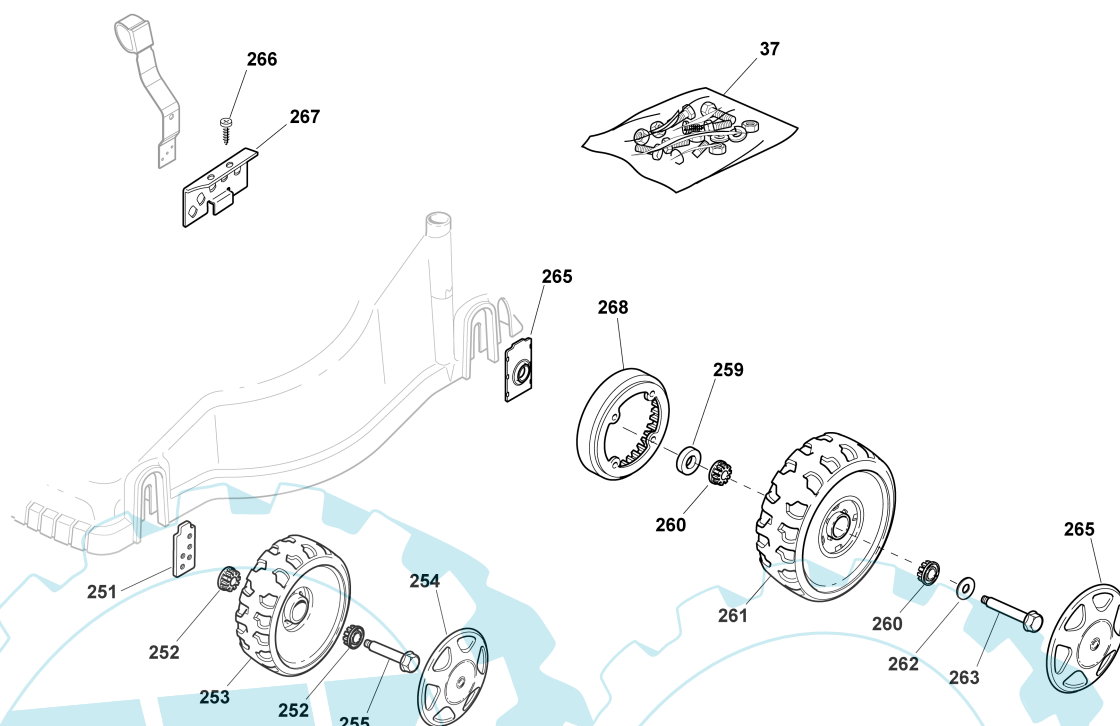
EP 434 TR



2007

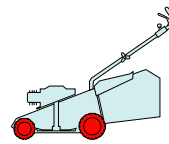
422.0

1 / 1



| POS. | CODE | Q.TY | DESCRIZIONE | DESCRIPTION | DESCRIPTION | BESCHREIBUNG | REMARKS |
|------|------------|------|------------------------|---------------------------|-------------------|-------------------------|-------------------|
| 37 | 81008679/0 | 1 | DOTAZIONE VITERIA | OUTFIT, SCREWS | DOTATION VISSERIE | SATZ, SCHRAUBEN | |
| 251 | 22785093/0 | 2 | SUPPORTO RUOTA | SUPPORT, WHEEL | SUPPORT ROUE | HALTER, RAD | |
| 252 | 22034515/1 | 4 | BUSSOLA | BUSH | DOUILLE | BUCHSE | |
| 253 | 22686091/1 | 2 | RUOTA Ø 165 | WHEEL Ø 165 | ROUE Ø 165 | RAD Ø 165 | |
| 254 | --- | 2 | COPRIMOZZO | HUB CAP | COUVRE-MOYEU | RADKAPPE | (SEE ENCLOSURE 1) |
| 255 | 22524340/0 | 2 | PERNO | PIN | PIVOT | BOLZEN | |
| 259 | 22170622/0 | 2 | DISTANZIALE | SPACER | ENTRETOISE | DISTANZRING | |
| 260 | 22034508/0 | 4 | BUSSOLA | BUSH | DOUILLE | BUCHSE | |
| 261 | 22686093/0 | 2 | RUOTA Ø 190 | WHEEL Ø 190 | ROUE Ø190 | RAD Ø 190 | |
| 262 | 12523050/0 | 2 | ROSETTA | WASHER | RONDELLE | SCHEIBE | |
| 263 | 12735599/0 | 2 | VITE | SCREW | VIS | SCHRAUBE | |
| 264 | --- | 2 | COPRIMOZZO | HUB CAP | COUVRE-MOYEU | RADKAPPE | (SEE ENCLOSURE 2) |
| 265 | 22557149/0 | 2 | PIASTRINA | PLATE | PLAQUETTE | PLÄTTCHEN | |
| 266 | 12728680/0 | 2 | VITE | SCREW | VIS | SCHRAUBE | |
| 267 | 22735567/0 | 1 | SETTORE DI REGOLAZIONE | SECTOR, HEIGHT ADJUSTMENT | SECTEUR REGLAGE | SEKTOR, HÖHEVERSTELLUNG | |
| 268 | 22120109/0 | 2 | CORONA | RING GEAR | COURONNE | KRANZ | |

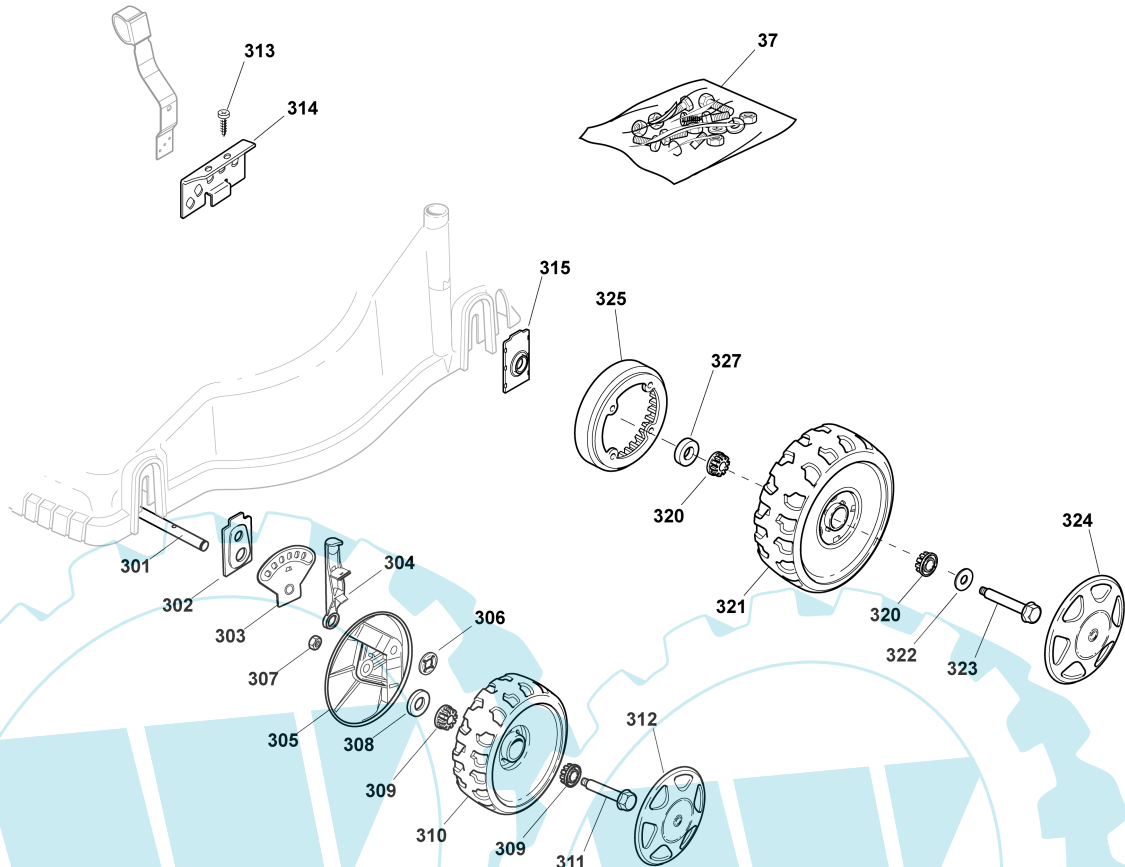
EP 434 TR



2007

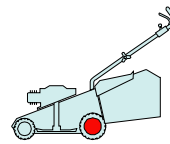
422a.0

1 / 1



| POS. | CODE | Q.TY | DESCRIZIONE | DESCRIPTION | DESCRIPTION | BESCHREIBUNG | REMARKS |
|------|------------|------|--------------------------|---------------------------|------------------------|-------------------------|-------------------|
| 37 | 81008661/1 | 1 | DOTAZIONE VITERIA | OUTFIT, SCREWS | DOTATION VISSERIE | SATZ, SCHRAUBEN | |
| 301 | 22033363/0 | 1 | ASSE | AXLE | AXE | ACHSE | |
| 302 | 22785135/0 | 2 | SUPPORTO | SUPPORT | SUPPORT | HALTER | |
| 303 | 22735555/0 | 2 | SETTORE DI REGOLAZIONE | SECTOR, HEIGHT ADJUSTMENT | SECTEUR REGLAGE | SEKTOR, HÖHEVERSTELLUNG | |
| 304 | 81003306/0 | 2 | LEVA REGOLAZIONE ALTEZZA | LEVER, HEIGHT ADJUSTMENT | LEVIER REGLAGE HAUTEUR | HEBEL, HÖNEVERSTELLUNG | |
| 305 | 22600096/0 | 2 | PROT. RUOTE | PROTECTION, WHEEL | PROTECTION ROUE | SCHÜTZ, RÄDER | |
| 306 | 22020050/0 | 2 | ANELLO ELASTICO | SNAP RING | ANNEAU RESSORT | SPRENGRING | |
| 307 | 12155000/0 | 2 | DADO | NUT | ECROU | MUTTER | |
| 308 | 25670011/0 | 2 | ROSETTA | WASHER | RONDELLE | SCHEIBE | |
| 309 | 22034508/0 | 4 | BUSSOLA | BUSH | DOUILLE | BUCHSE | |
| 310 | 22686091/1 | 2 | RUOTA Ø 165 | WHEEL Ø 165 | ROUE Ø 165 | RAD Ø 165 | |
| 311 | 22524341/0 | 2 | PERNO | PIN | PIVOT | BOLZEN | |
| 312 | --- | 2 | COPRIMOZZO | HUB CAP | COUVRE-MOYEU | RADKAPPE | (SEE ENCLOSURE 1) |
| 313 | 12728680/0 | 2 | VITE | SCREW | VIS | SCHRAUBE | |
| 314 | 22735567/0 | 1 | SETTORE DI REGOLAZIONE | SECTOR, HEIGHT ADJUSTMENT | SECTEUR REGLAGE | SEKTOR, HÖHEVERSTELLUNG | |
| 315 | 22557149/0 | 2 | PIASTRINA | PLATE | PLAQUETTE | PLÄTTCHEN | |
| 320 | 22034508/0 | 4 | BUSSOLA | BUSH | DOUILLE | BUCHSE | |
| 321 | 22686093/0 | 2 | RUOTA Ø 190 | WHEEL Ø 190 | ROUE Ø190 | RAD Ø 190 | |
| 322 | 12523050/0 | 2 | ROSETTA | WASHER | RONDELLE | SCHEIBE | |
| 323 | 12735599/0 | 2 | VITE | SCREW | VIS | SCHRAUBE | |
| 324 | --- | 2 | COPRIMOZZO | HUB CAP | COUVRE-MOYEU | RADKAPPE | (SEE ENCLOSURE 2) |
| 325 | 22120109/0 | 2 | CORONA | RING GEAR | COURONNE | KRANZ | |
| 327 | 22170622/0 | 2 | DISTANZIALE | SPACER | ENTRETOISE | DISTANZRING | |

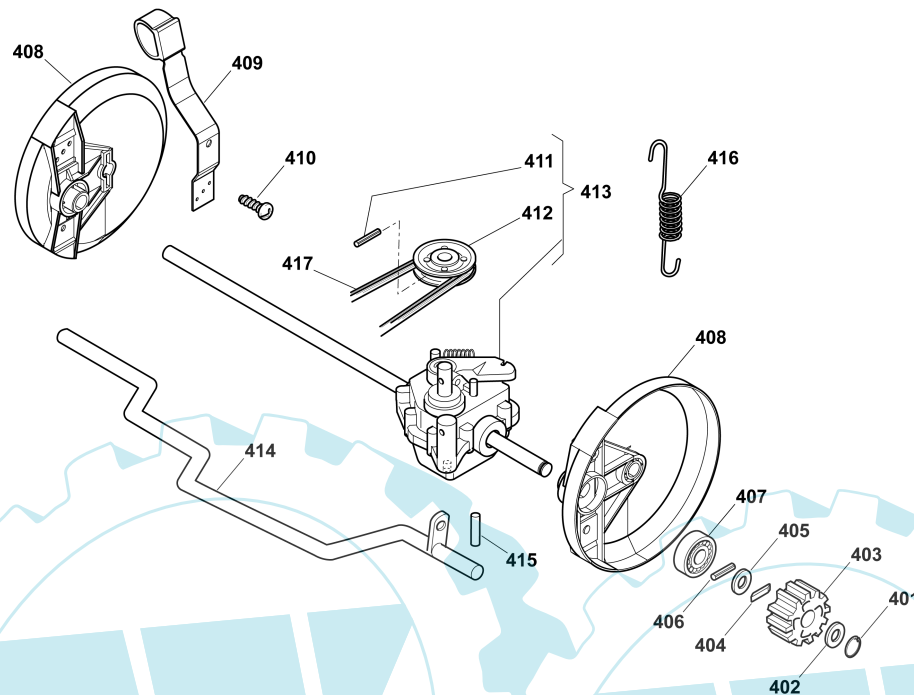
EP 434 TR



2007

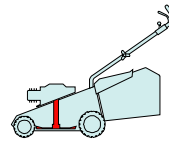
422b.0

1 / 1



| POS. | CODE | Q.TY | DESCRIZIONE | DESCRIPTION | DESCRIPTION | BESCHREIBUNG | REMARKS |
|------|------------|------|--------------------------|--------------------------|------------------------|-----------------------|---------|
| 401 | 12608520/0 | 2 | SEEGER | SEEGER | SEEGER | SEEGER | |
| 402 | 22160520/0 | 2 | DISCO PARAPOLVERE | DUST COVER | PROTEGE-POUSSIÈRE | STAUBSCHUTTSCHIEBE | |
| 403 | 22570125/0 | 2 | PIGNONE | PINION | PIGNON | RITZEL | |
| 404 | 22076645/0 | 2 | CHIAVE | KEY | CLEF | SCHLÜSSEL | |
| 405 | 22160520/0 | 2 | DISCO PARAPOLVERE | DUST COVER | PROTEGE-POUSSIÈRE | STAUBSCHUTTSCHIEBE | |
| 406 | 12622620/0 | 2 | SPINA | PIN | GOUPILLE | STIFT | |
| 407 | 22122202/0 | 2 | CUSCINETTO | BEARING | COUSSINET | LAGER | |
| 408 | 22600106/1 | 2 | PROT. RUOTE | PROTECTION, WHEEL | PROTECTION ROUE | SCHÜTZ, RÄDER | |
| 409 | 81003303/0 | 1 | LEVA REGOLAZIONE ALTEZZA | LEVER, HEIGHT ADJUSTMENT | LEVIER REGLAGE HAUTEUR | HEBEL, HÖHNERSTELLUNG | |
| 410 | 12728689/0 | 2 | VITE | SCREW | VIS | SCHRAUBE | |
| 411 | 12645705/0 | 1 | SPINA | PIN | GOUPILLE | STIFT | |
| 412 | 22601904/0 | 1 | PULEGGIA | PULLEY | POULIE | RIEMENSCHIEBE | |
| 413 | 81003093/0 | 1 | GRUPPO TRAZIONE | GEAR BOX | GROUPE TRACTION | ANTRIEB | |
| 414 | 22033393/0 | 1 | ASSE RUOTE POSTERIORI | AXLE, REAR WHEELS | AXE ROUES ARRIERE | ACHSE, HINTERRAD | |
| 415 | 22753001/0 | 2 | SPINA | PIN | GOUPILLE | STIFT | |
| 416 | 22430216/0 | 1 | MOLLA | SPRING | RESSORT | FEDER | |
| 417 | 35063800/0 | 1 | CINGHIA Z 27 | BELT Z 27 | COURROIE Z 27 | RIEMEN Z 27 | |

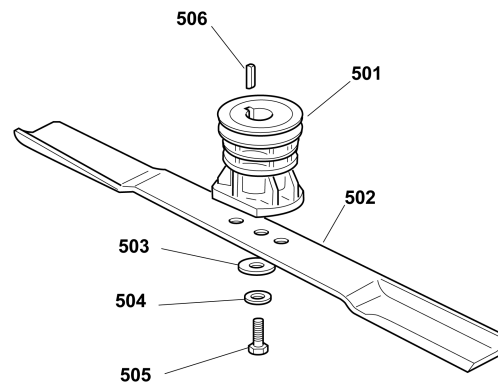
EP 434 TR



2007

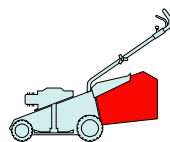
423.0

1 / 1



| POS. | CODE | Q.TY | DESCRIZIONE | DESCRIPTION | DESCRIPTION | BESCHREIBUNG | REMARKS |
|------|------------|------|-------------------|----------------|------------------|-----------------|---------|
| 501 | 22465607/2 | 1 | MOZZO | HUB | MOYEU | HALTER | |
| 502 | 81004341/3 | 1 | COLTELLO STANDARD | BLADE STANDARD | LAME STANDARD | MESSER STANDARD | |
| 503 | 22160400/0 | 1 | DISCO ELASTICO | ELASTIC WASHER | DISQUE ELASTIQUE | FEDERSCHEIBE | |
| 504 | 12523080/0 | 1 | ROSETTA | WASHER | RONDELLE | SCHEIBE | |
| 505 | 12735698/0 | 1 | VITE | SCREW | VIS | SCHRAUBE | |
| 506 | 12139100/0 | 1 | LINGUETTA | FEATHER | CLAVETTE | KEIL | |

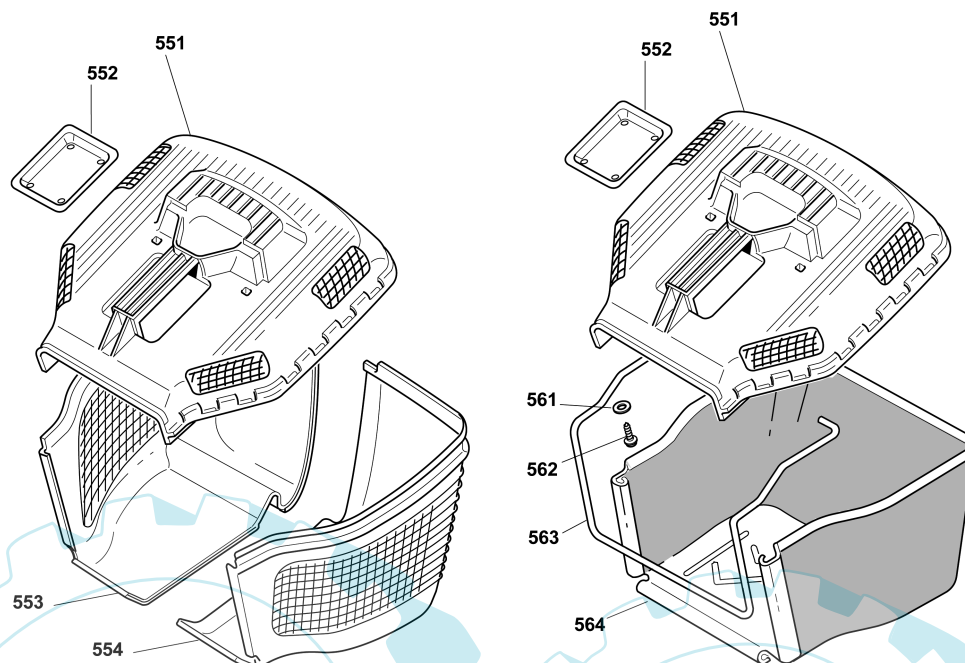
EP 434 TR



2007

424.0

1 / 1



| POS. | CODE | Q.TY | DESCRIZIONE | DESCRIPTION | DESCRIPTION | BESCHREIBUNG | REMARKS |
|------|------------|------|---------------------|-----------------------|--------------------------|--------------------|---------|
| 551 | 22486115/0 | 1 | SACCO, PARTE SUP | GRASS-BOX, UPPER PART | SAC, PARTIE SUPERIEURE | KORB, OBERTEIL | |
| 552 | 22486098/0 | 1 | PIASTRINA | PLATE | PLAQUETTE | PLÄTTCHEN | |
| 553 | 22486120/0 | 1 | SACCO, PARTE INF DX | GRASS-BOX, R LOWER | SAC, PARTIE INFERIEURE D | KORB, R UNTERTEIL | |
| 554 | 22486119/0 | 1 | SACCO, PARTE INF SX | GRASS-BOX, L LOWER | SAC, PARTIE INFERIEURE G | KORB, L UNTERTEIL | |
| 561 | 12521460/0 | 2 | ROSETTA | WASHER | RONDELLE | SCHEIBE | |
| 562 | 12728300/0 | 2 | VITE | SCREW | VIS | SCHRAUBE | |
| 563 | 22608528/0 | 1 | RINFORZO INF | STIFFENING LOWER | RÉNFORCEMENT INF | VERSTÄRKUNG UNTERE | |
| 564 | 81002239/0 | 1 | SACCO, TELA | BOX, FABRIC | SAC, TOILE | SACK, TUCK | |